

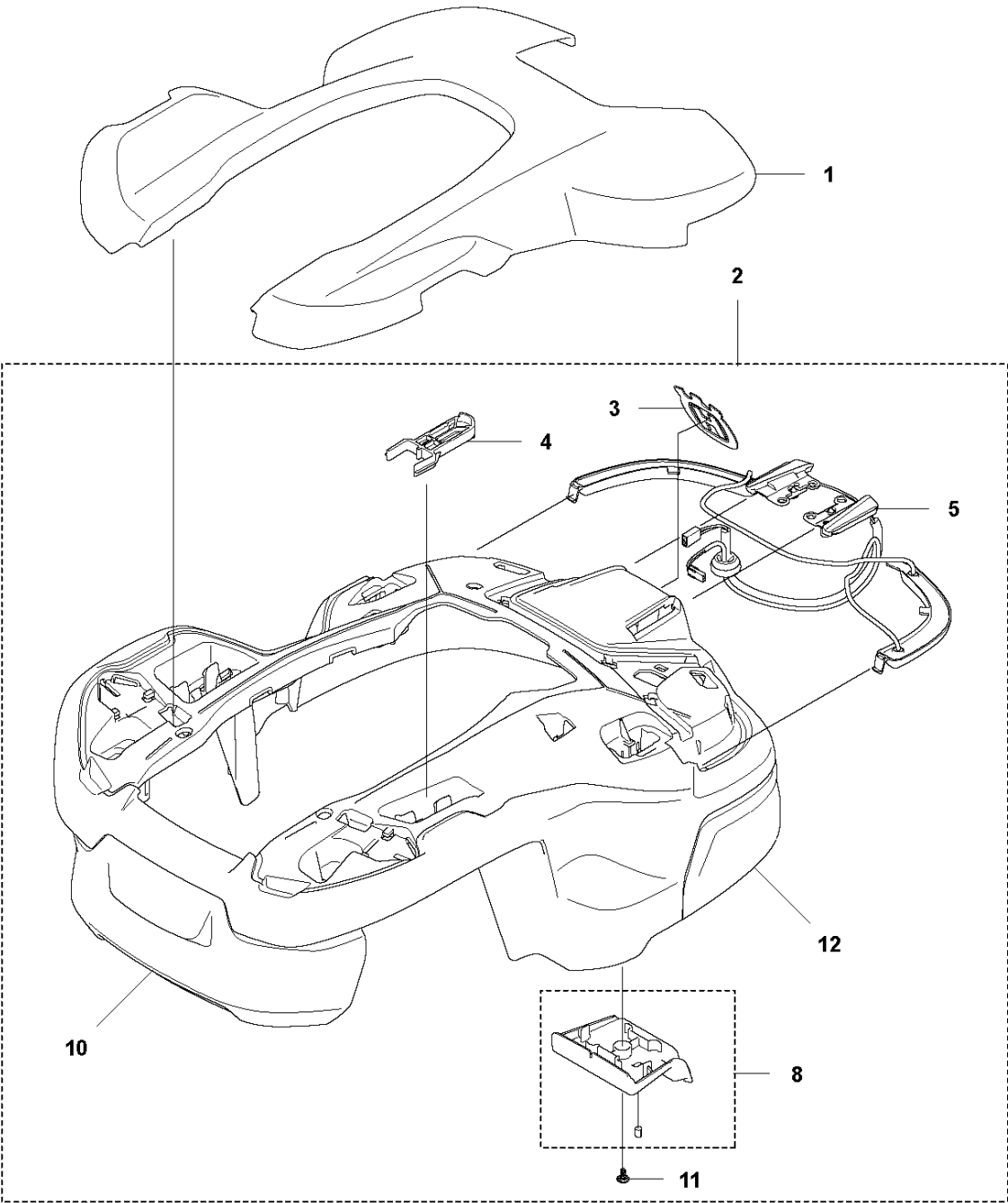


SPARE PARTS LIST

ROBOTIC LAWN MOWERS

AUTOMOWER 405X

A AUTOMOWER 405X
COVER



COVER

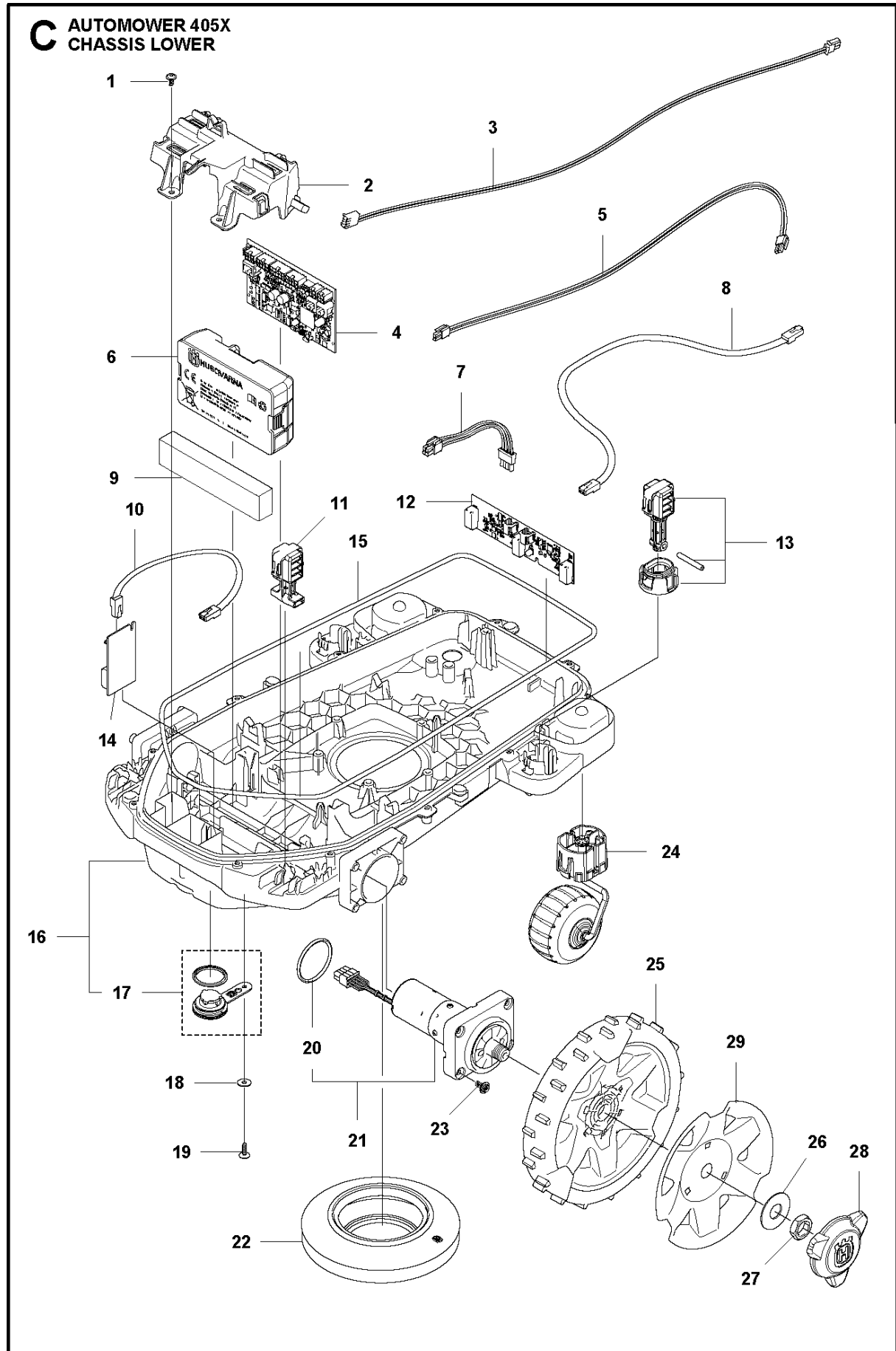
AUTOMOWER 405X

Ref	Part No	Description	Remark	QTY KIT	
1	529 46 13-01	BODY KIT	White	1	
1	529 46 13-02	BODY KIT	Orange	1	
1	529 46 13-03	BODY KIT	Grey	1	
2	599 98 87-01	BODY KIT	Body assy	1	
3	587 42 35-01	DECAL	Husqvarna Crown Height 55 mm	1	2
4	598 76 42-01	FORK		1	2
5	599 49 04-01	WIRING ASSY	Light and Charging wiring	1	2
8	599 99 10-01	HOLDER KIT	Magnet holder	1	2
10	599 29 63-01	BUMPER	Rear	1	2
11	574 45 01-01	SCREW ITPANT		10	2
12	599 29 62-01	BUMPER	Front	1	2

CHASSIS UPPER

AUTOMOWER 405X

Ref	Part No	Description	Remark	QTY	KIT
1	599 29 59-02	HATCH	HMI Cover AM405X	1	
2	597 75 81-01	SUPPORT	Front Assy	1	
3	580 35 23-02	DAMPER		1	2
4	599 99 11-01	BUTTON KIT	Stop Button Assy	1	
5	585 25 54-01	TORSION SPRING		2	2
7	599 45 17-01	KEYBOARD		1	
8	597 34 95-02	SPRING	Stop Button	1	4
9	574 45 01-01	SCREW ITPANT		16	2
10	577 75 37-01	AIR FILTER		1	
11	599 29 58-01	CHASSIS	Upper	1	
12	598 90 28-01	PRINTED CIRCUIT ASSY	HMI Board	1	
13	590 11 06-01	CABLE ASSY	HMI Cable	1	
14	599 49 05-01	WIRING ASSY	Magnetic Sensor Wiring	1	
15	589 35 08-06	WIRING ASSY	CBT Wiring	1	
16	586 66 23-07	GPS MODULE	AM Connect, KIT, CZ,PL,SK,HU,UA,RO,GR, HR,TR,BG,RU,LT,LV,EE,Z A,JP,BR,CL,UY,PY,AR,CO ,EC,PE,CR	1	
16	586 66 23-09	GPS MODULE	AM Connect, KIT, UK,IE,CH,IT,ES,PT,DE,FR ,AT,NL,BE,LUX,SI,SE,NO, DK,FI	1	
17	598 91 60-01	PRINTED CIRCUIT ASSY	Manetic Sensor Board	1	

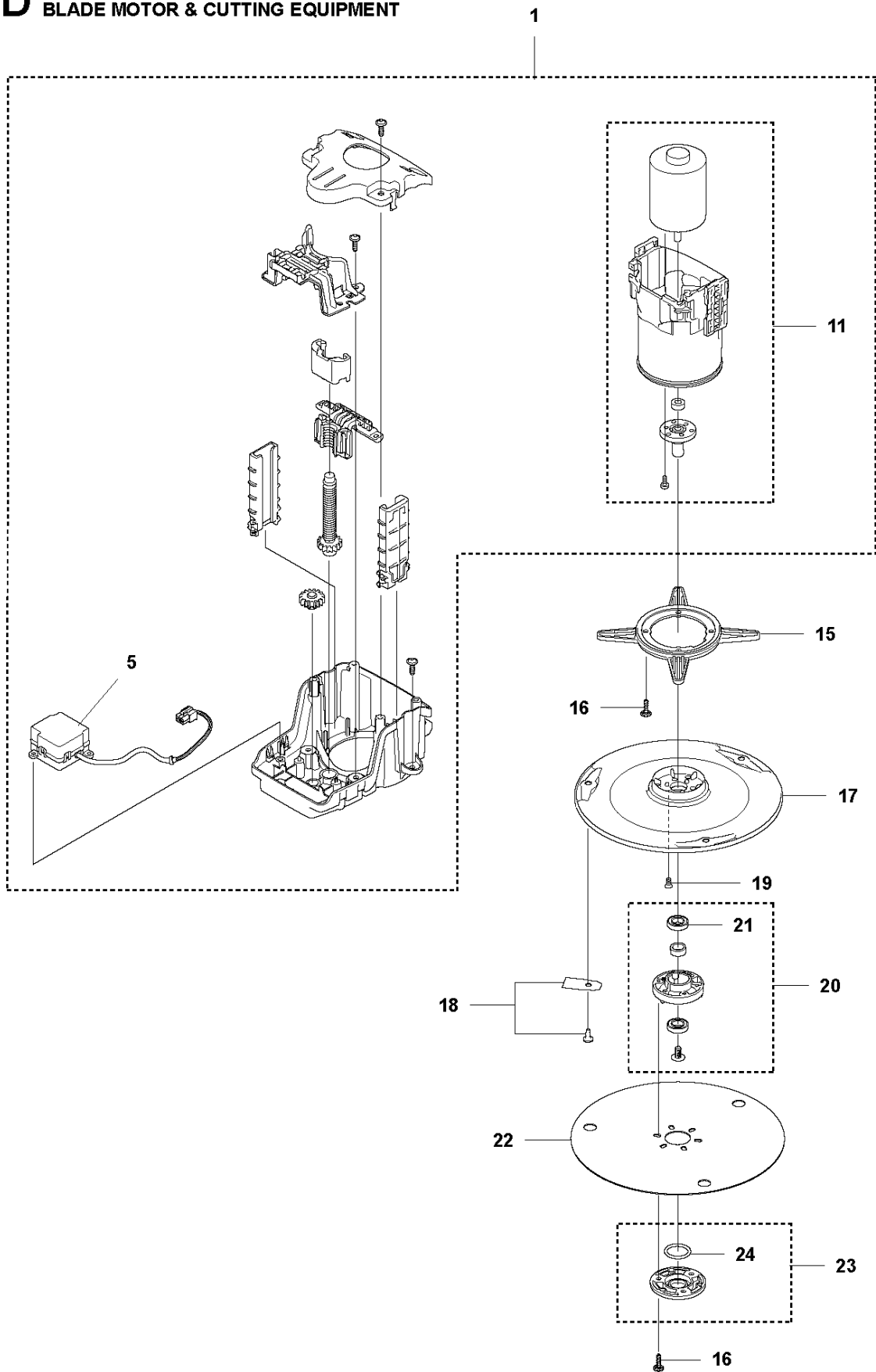


CHASSIS LOWER

AUTOMOWER 405X

Ref	Part No	Description	Remark	QTY	KIT
1	574 45 01-01	SCREW ITXPANT		11	
2	599 29 57-01	CLAMP	Battery	1	
3	588 81 84-02	WIRING ASSY	LED Light extension 540mm	1	
4	591 12 56-01	PRINTED CIRCUIT ASSY	Motor Controller Board Type 1	1	
5	591 20 34-02	WIRING ASSY	Battery Charging adapter 2P, L=540mm	1	
6	529 45 20-01	BATTERY		1	
7	591 20 35-02	WIRING ASSY		1	
8	589 35 08-07	WIRING ASSY		1	
9	598 50 36-02	WEIGHT		1	
10	589 35 08-03	WIRING ASSY		1	
11	596 53 01-01	STRUT	Tilt	2	
12	591 12 57-03	PRINTED CIRCUIT ASSY	Loop Receiver Board Type 2	1	
13	596 02 07-02	COLUMN ASSY		2	
14	598 91 52-01	PRINTED CIRCUIT ASSY	Loop Receiver Board Type 6	1	
15	574 87 47-18	SEALING STRIP		1	
16	599 29 56-01	CHASSIS	Lower	1	
17	581 62 12-02	PLUG KIT		1	16
18	734 11 37-41	WASHER		1	
19	574 45 01-01	SCREW ITXPANT		11	
20	580 44 39-02	O-RING		2	21
21	598 58 73-01	MOTOR KIT		2	
22	599 31 83-01	BELLOWS		1	
23	574 45 01-01	SCREW ITXPANT		4	
24	589 30 08-02	WHEEL ASSY	Front	2	
25	590 21 73-03	WHEEL ASSY	Orange	2	
26	586 21 06-01	WASHER		2	
27	731 43 24-01	HEXAGON THIN NUT		2	
28	579 50 55-02	HUB CAP		2	
29	590 21 78-01	COVER		2	

D AUTOMOWER 405X
BLADE MOTOR & CUTTING EQUIPMENT

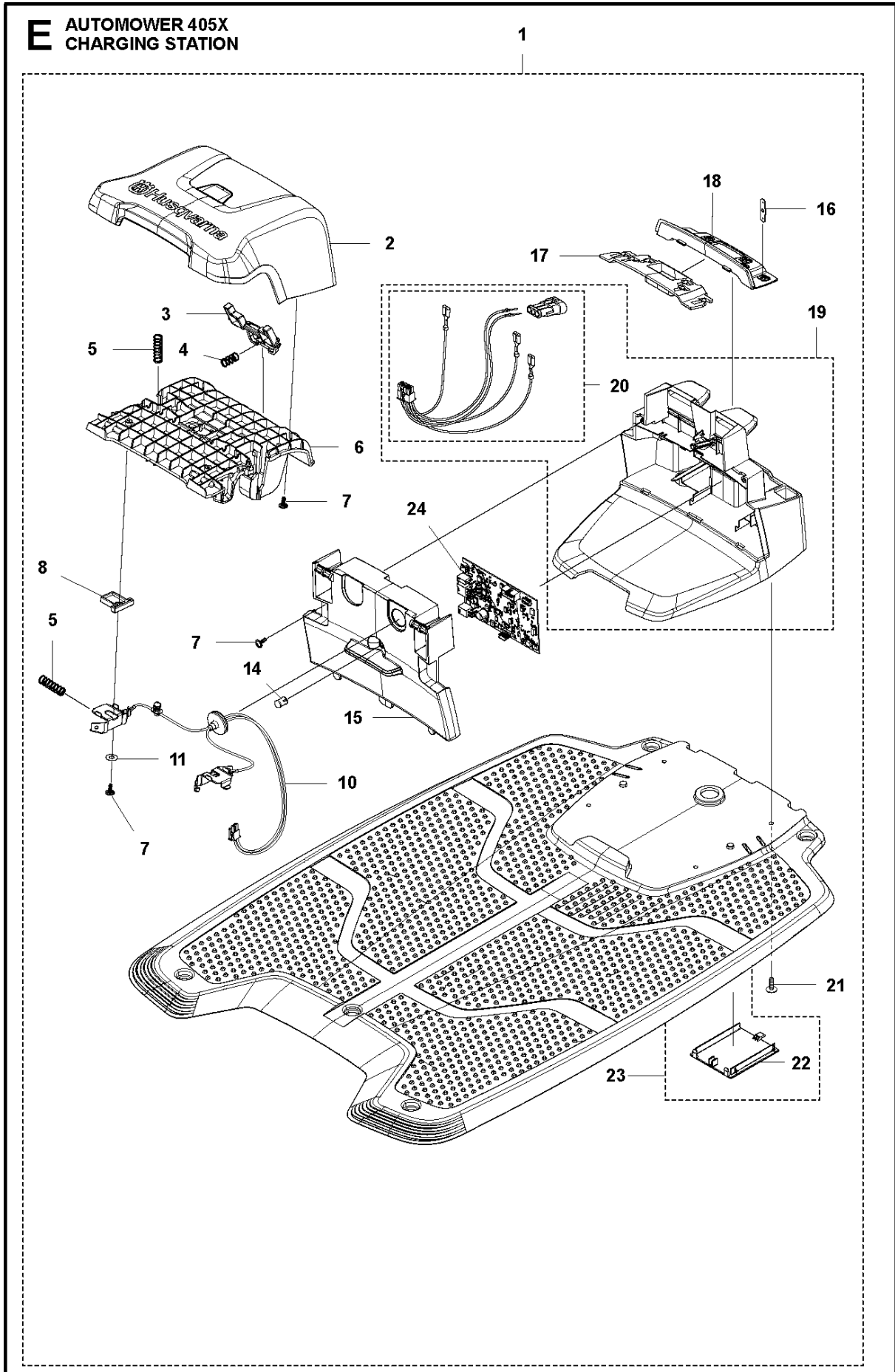


BLADE MOTOR & CUTTING EQUIPMENT

AUTOMOWER 405X

Ref	Part No	Description	Remark	QTY KIT	
1	599 52 13-01	CUTTING SYSTEM	Cutting module assy	1	
5	592 73 58-01	MOTOR	HAM	1	
11	599 42 83-01	MOTOR ASSY		1	1
15	599 31 82-01	FRAME		1	
16	575 54 33-14	SCREW		3	
17	597 42 22-01	CUTTING DISC		1	
18	595 08 44-01	BLADE SET	Endurance 6 pcs, Blister	1	
19	590 50 87-01	SCREW		3	
20	588 42 17-02	BEARING HOUSING ASSY		1	
21	535 07 57-03	BALL BEARING		2	
21	593 08 08-01	BALL BEARING	Tube 50 pcs	2	20
22	598 79 48-01	SKID PLATE		1	
23	587 44 96-01	COVER KIT		1	
24	585 29 75-01	O-RING		1	23

E AUTOMOWER 405X
CHARGING STATION

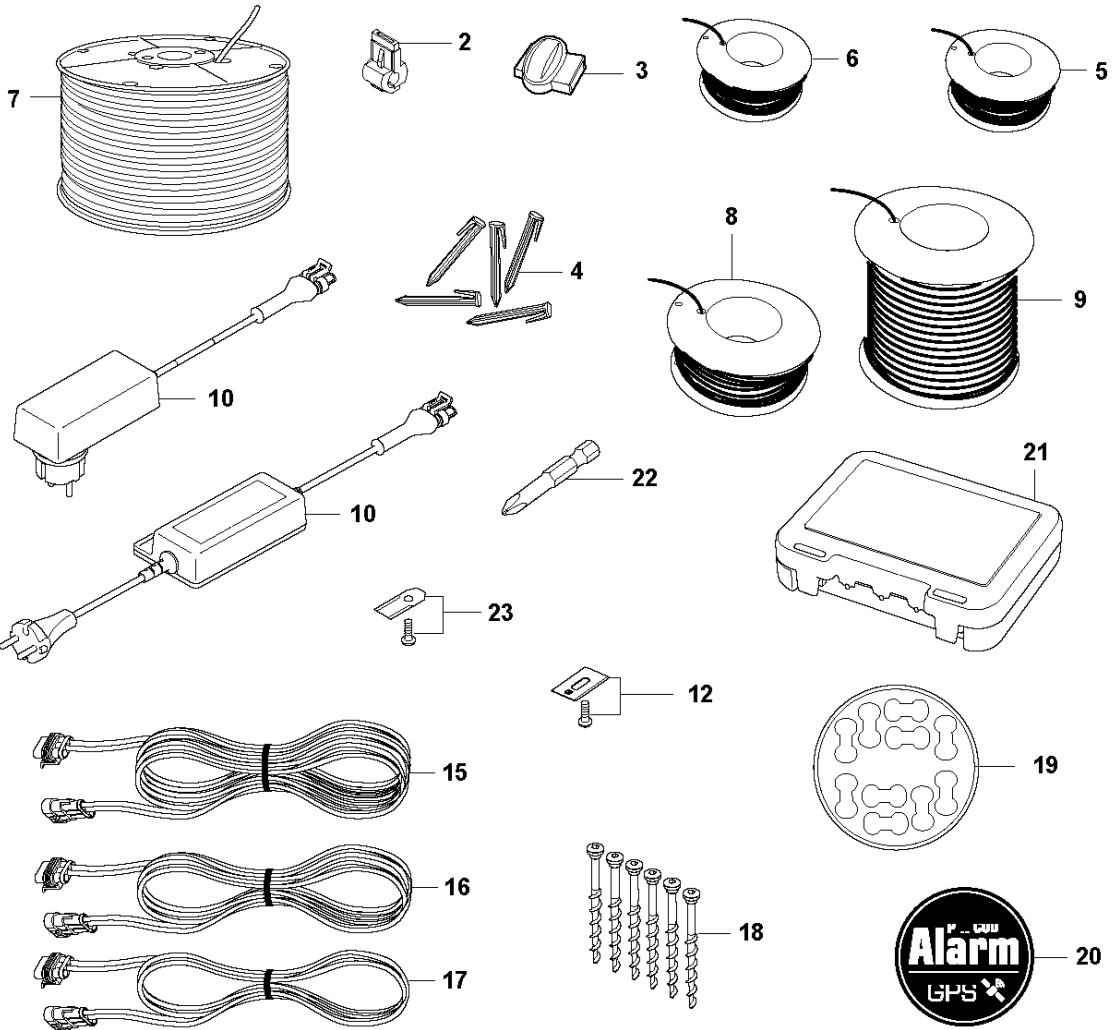
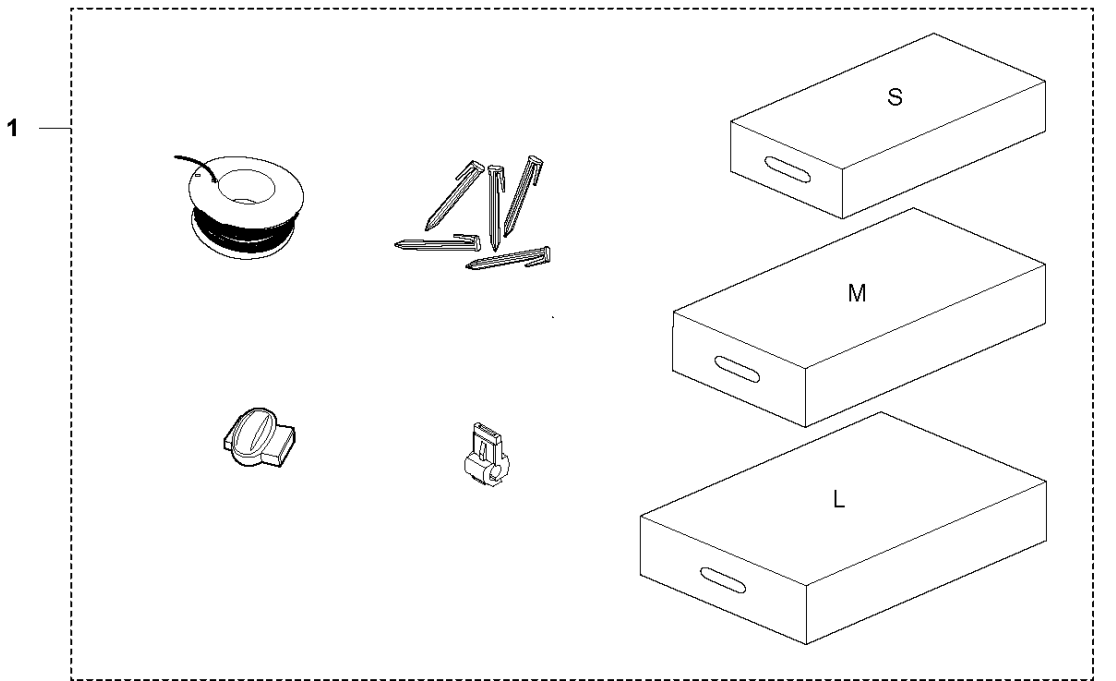


CHARGING STATION

AUTOMOWER 405X

Ref	Part No	Description	Remark	QTY	KIT
1	585 16 40-03	CHARGING STATION		1	
2	585 07 11-02	CAP		1	
3	579 46 24-02	BUTTON		1	
4	574 48 70-01	SPRING		1	
5	580 51 14-01	SPRING		2	
6	579 45 80-04	FRAME		1	
7	575 54 33-14	SCREW		12	
8	579 46 05-02	SPACER		2	
10	585 53 95-02	CABLE ASSY	Loom Charging Contact	1	
11	734 11 37-41	WASHER		2	
14	590 21 72-01	LENS		1	
15	585 07 14-01	LID		1	
16	580 50 41-01	TERMINAL		3	
17	579 45 98-01	PAN		1	
18	579 45 99-01	HOLDER		1	
19	588 41 61-01	HOUSING ASSY		1	
20	587 65 15-01	LOOM KIT		1	19
22	585 91 93-01	COVER		1	23
23	587 65 16-02	CHARGING PLATE		1	
24	592 90 93-02	PRINTED CIRCUIT ASSY		1	

F AUTOMOWER 405X
INSTALLATION ACCESSORIES

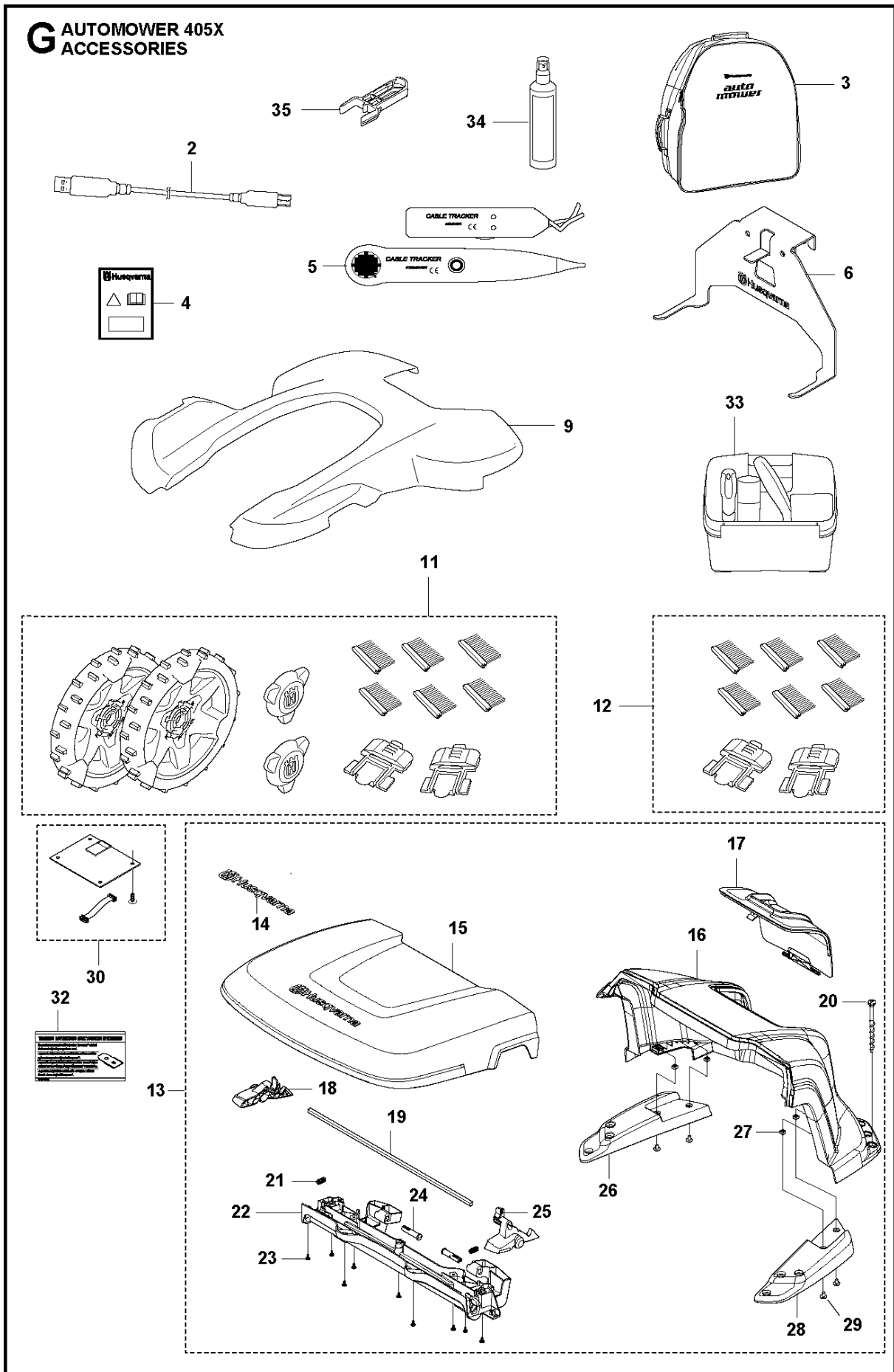


INSTALLATION ACCESSORIES

AUTOMOWER 405X

Ref	Part No	Description	Remark	QTY KIT
1	967 97 21-01	INSTALLATION KIT	S Wire 150 m, Staples 300 pc, Connectors 3 pcs, Couplers 5 pcs	1
1	967 97 22-01	INSTALLATION KIT	M Wire 250 m, Staples 400 pc, Connectors 3 pcs, Couplers 5 pcs	1
1	967 62 36-03	INSTALLATION KIT	S Wire 400 m, Staples 600 pc, Connectors 5 pcs, Couplers 5 pcs	1
2	535 12 90-01	CONNECTOR	Loop Wire Connector	1
2	577 86 48-01	CONNECTOR	Loop Wire Connector, Blister Pack 5 pcs	1
2	535 12 90-02	CONNECTOR	Loop Wire Connector, Blister Pack 100 pcs	1
3	501 98 02-01	COUPLER	Coupler	1
3	577 86 47-01	COUPLER	Coupler, Blister Pack 5 pcs	1
3	501 98 02-03	COUPLER	Coupler, 100 pcs	1
4	577 86 42-01	STAPLE	Staple Blister Pack 100 pcs	1
5	577 86 43-02	WIRE	Wire, Blister Pack 50 m	1
5	577 86 43-01	WIRE	Wire, Blister Pack 150 m	1
6	580 66 20-01	WIRE	Wire 250 m	1
7	593 29 77-02	WIRE	Wire 300 m Pro 5,5 mm	1
8	522 91 41-02	WIRE	Wire 500 m 3,4 mm	1
9	580 66 20-04	WIRE	Wire 800 m	1
10	593 16 36-01	POWER UNIT	Power Unit EU, Plug in	1
10	584 86 26-01	POWER UNIT	Power Unit EU, Desktop	1
10	590 44 22-02	POWER UNIT	Power Unit GB	1
10	590 44 22-03	POWER UNIT	Power Unit CH	1
10	590 44 22-04	POWER UNIT	Power Unit US	1
10	590 44 22-05	POWER UNIT	Power Unit AUS/NZ	1
10	590 44 22-06	POWER UNIT	Power Unit JP	1
10	590 44 22-07	POWER UNIT	Power Unit ROK	1
10	590 44 22-08	POWER UNIT	Power Unit BR	1
10	590 44 22-09	POWER UNIT	Power Unit ARG	1
12	595 08 44-01	BLADE SET	Endurance Blade, 6 pcs	1
12	595 08 44-02	BLADE SET	Endurance Blade, 45 pcs	1
12	595 08 44-03	BLADE SET	Endurance Blade, 300 pcs	1
15	579 82 51-01	CABLE ASSY	Low Voltage Cable, 20 m	1
16	579 82 51-02	CABLE ASSY	Low Voltage Cable, 10 m	1
17	579 82 51-03	CABLE ASSY	Low Voltage Cable, 3 m	1
17	579 82 51-04	CABLE ASSY	Low Voltage Cable, 5 m	1
18	597 43 58-01	ANCHOR	6 pcs+Key	1
19	586 27 79-01	STICKER	Cable Markers, 10 pcs	1
20	594 05 48-01	LABEL	Label Alarm	1
21	590 85 50-01	BOX	Cable Connector Protection	1
22	596 33 98-01	TOOL	Bit for Robotic Blades	1
23	577 86 46-03	BLADE SET	Long Life Safety Blade, Blister Pack 9 pcs	1
23	577 60 65-05	BLADE SET	Long Life Safety Blade, 45 pcs	1
23	577 60 66-04	BLADE SET	Long Life Safety Blade, 300 pcs	1

G AUTOMOWER 405X
ACCESSORIES



ACCESSORIES

AUTOMOWER 405X

Ref	Part No	Description	Remark	QTY KIT
2	577 51 81-02	CABLE	Service Cable (USB)	1
3	522 91 67-01	BAG	Bag	1
4	580 68 95-02	LABEL	Warranty Seal 1pcs	1
5	577 60 68-01	TEST EQUIPMENT	Interruption Detector	1
6	597 70 36-01	WALL HANGER	Wallhanger AM305	1
9	529 46 13-01	BODY KIT	White	1
9	529 46 13-02	BODY KIT	Orange	1
9	529 46 13-03	BODY KIT	Grey	1
11	597 70 54-01	WHEEL KIT	Terrain KIT (Brush KIT + Rear wheels)	1
12	505 13 28-03	BRUSH KIT	Brush, 6 pcs	1
13	587 23 61-01	HOUSING	House KIT	1
14	577 46 90-01	DECAL	Decal	1
15	585 32 35-01	COVER	Lid	1
16	586 99 38-01	COVER	Cover Base	1
17	585 32 36-01	HATCH	Hatch	1
18	585 32 40-02	HANDLE	Handle Left	1
19	585 32 41-01	ROD	Steel	1
20	597 43 58-01	ANCHOR	6 pcs+Key	1
21	580 51 14-01	SPRING	Spring	2
22	585 34 16-01	BEAM	Beam	1
23	575 54 33-14	SCREW	Screw	9
24	585 34 15-01	HINGE PIN	Hinge Pin	2
25	585 32 40-01	HANDLE	Handle Right	1
26	585 32 38-02	SUPPORT	Support Left	1
27	503 22 66-01	SQUARE NUT	Square Nut	4
28	585 32 38-01	SUPPORT	Support Right	1
29	535 12 93-03	SCREW IHPANM	Screw	4
30	586 66 23-07	GPS MODULE	AM Connect, KIT, CZ,PL,SK,HU,UA,RO,GR,HR,TR,BG,RU,LT,LV,EE,Z A,JP,BR,CL,UY,PY,AR,CO,EC,PE,CR	1
30	586 66 23-09	GPS MODULE	AM Connect, KIT, UK,IE,CH,IT,ES,PT,DE,FR,AT,NL,BE,LUX,SI,SE,NO,DK,FI	1
32	591 37 41-01	DECAL	Warning Original Blade SE,NO,DK,FIN	1
32	591 37 41-02	DECAL	Warning Original Blade DE,FR,NL,IT	1
32	591 37 41-03	DECAL	Warning Original Blade UK,ES,FR,IT	1
33	590 85 51-01	KIT	Maintenance and Cleaning	1
34	593 96 79-01	SPRAY	Care and Shine 200ml	1
35	598 76 42-01	FORK		1